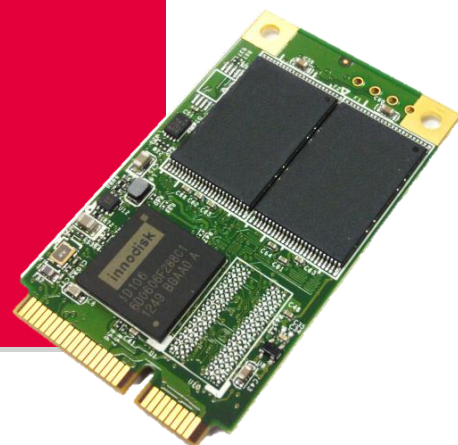


Datasheet

# mSATA 3ME series

- SATA 6Gb/s interface
- iSMART disk health monitoring
- Intelligent error recovery system
- Excellent data transfer speed
- Write protection security
- Zero mechanical interference
- Anti-vibration mechanical design
- JEDEC standard MO-300 dimension



## Introduction

Innodisk mSATA 3ME is designed with mSATA form factor by MO-300/MO-300B which established by JEDEC, and support SATA III standard (6.0Gb/s) with excellent performance. Regarding of mechanical interference, Innodisk mSATA 3ME absolutely replaces the traditional hard disk and makes personal computer, in any field, smaller and easier.

Innodisk mSATA 3ME effectively reduces the booting time of operation system and the power consumption is less than hard disk drive (HDD), and complies with ATA protocol, no additional drives are required, and can be configured as a boot device or data storage device.

# mSATA 3ME series

Contact us for more information  
about the mSATA 3ME.

Innodisk is a service-driven provider of industrial embedded flash storage products and technologies, with a focus on the cloud computing, industrial/embedded, and aerospace and defense industries.

## Headquarters (Taiwan)

5F., No. 237, Sec. 1, Datong Rd.,  
Xizhi Dist., New Taipei City 221,  
Taiwan (R.O.C.)  
Tel: +886-2-77033000  
Email: sales@Innodisk.com

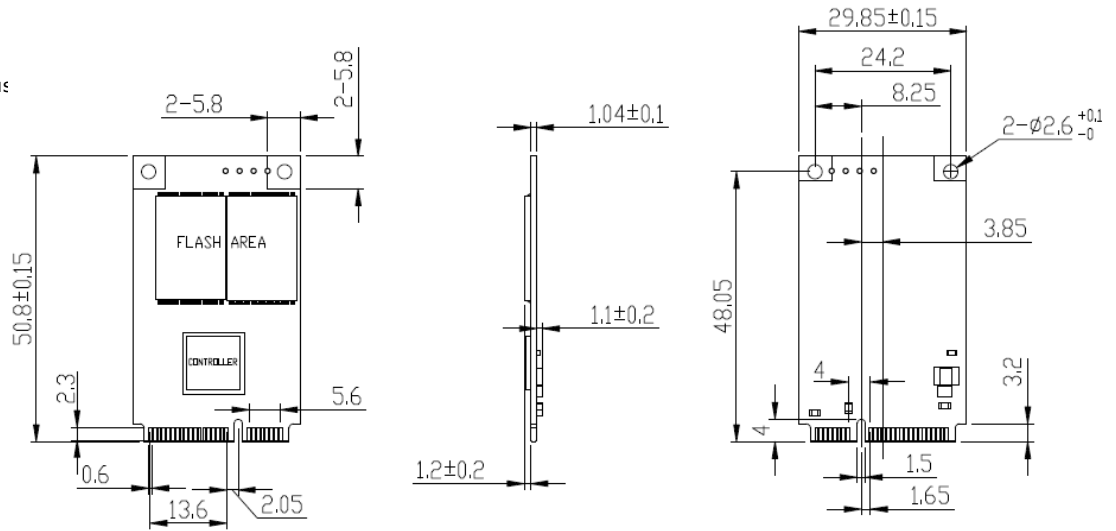
## Branch Offices:

USA  
[usasales@Innodisk.com](mailto:usasales@Innodisk.com)  
+1-510-770-9421  
Europe  
[eusales@Innodisk.com](mailto:eusales@Innodisk.com)  
+31-(0)40-282-1818  
Japan  
[jpsales@Innodisk.com](mailto:jpsales@Innodisk.com)  
+81-45-594-7581  
China  
[sales\\_cn@Innodisk.com](mailto:sales_cn@Innodisk.com)  
+86-755-21673689  
[www.Innodisk.com](http://www.Innodisk.com)

© 2015 Innodisk Corporation.  
All right reserved. Specifications  
are subject to change without  
prior notice.

20150209

## Diagram



Interface	SATA III
Flash Type	MLC
Capacity	4GB~128GB
Max. Channels	4
Sequential R/W (MB/sec, max.)	510 / 160
Max. Power Consumption	1.3 W (3.3V x 390 mA )
Thermal Sensor	ST- Optional
External DRAM buffer	-
H/W Write Protect	Optional
ATA Security	√
S.M.A.R.T.	√
Dimension (WxLxH)	29.8 X 50.8 X 3.4 mm
Environment	Vibration: 20G @7~2000Hz Shock: 1500G @ 0.5ms Storage Temperature: -55°C ~ +95°C MTBF: 3 million hours

## Ordering Information

Operation Temp.	4GB	8GB	16GB	32GB	64GB	128GB
Standard Grade (0°C ~ +70°C)	DEMSR-04GD07RC2SC	DEMSR-08GD07RC2SC	DEMSR-16GD07RC2DC	DEMSR-32GD06RC2QC	DEMSR-64GD06RC2QC	DEMSR-A28D06RC2QC
Industrial Grade (-40°C ~ +85°C)	DEMSR-04GD07SW2SC	DEMSR-08GD07SW2SC	DEMSR-16GD07SW2DC	DEMSR-32GD06SW2QC	DEMSR-64GD06SW2QC	DEMSR-A28D06SW2QC

**innodisk**

[www.Innodisk.com](http://www.Innodisk.com)